




PRODUCTS

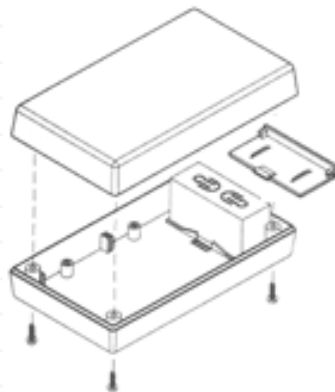
- Products Home
- Size Table
- Accessories
- Customization
- A-Series
- C-Series
- CA-Series
- CH-Series
- G-Series
- H-Series
- M-Series
- R-Series
- RX-Series
- S-Series
- SL-Series

Products: S-Series 231, 231-I (9V)



MODEL	LENGTH	WIDTH	HEIGHT	DRAWINGS	
				(.pdf)	(.dwg)
231, 231-I (9V) 	4.380"	3.250"	1.510"		
<p>Click to view circuit board diagram (331/339, 431/439)</p>					

FEATURES



- Two-piece standard design
- -I refers to the "I" version of a model, with a 0.015" smooth depression on top for printing or flush membrane/label surface
- Circuit board mounting bosses
- 9V battery compartment with contactors
- Wall mount option (select models)
- Assembly with four screws
- Customization available
 - two insert areas/I-Plates (top and bottom)

-machining
-pad printing

COLORS



Black



Almond



Gray

Custom Colors Also Available

[RETURN TO TOP](#)

ACCESSORIES (Click an accessory for compatible models and part numbers)



Grid and Clad Prototyping Boards
(P/N 331/339, 431/439)



Pocket Clip



Key Holder



Non-Skid Feet (P/N 50)



Wall Mount

[RETURN TO TOP](#)